

26 Series Automated Ball Valve



The 26 is a full port, 316 stainless steel, NPT threaded end automated ball valve.

It can be equipped with a manual handle or with direct mount pneumatic or electric actuators. The direct mount actuators eliminate the valve-actuator mounting kit, which adds unnecessary height and expense.

A full range of accessory items are available including limit switches, solenoid valves, positioners and manual override devices.

- 26 Actuator Configurations**
- Spring Return Actuator
 - Double Acting Actuator
 - Electric Actuator
 - Manual Handle
 - Manual Valve with Limit Switch
 - Price List

- Product Features**
- Full port 316SS ball valve (1/4" to 2")
 - Direct mount actuators
 - Compact assembly
 - Complete accessory equipment
 - Live loaded Pyramidal stem seal design

CV Chart

SIZE	CV
1/4"	13
3/8"	13
1/2"	23
3/4"	70
1"	116
1 1/4"	151
1 1/2"	197
2"	325

Valve Specifications

VALVE:
 Full port 316SS body, ball and stem
 Blow out proof stem
 RPTFE Seats
 PTFE/Viton/PTFE live loaded stem seals
 NPT threaded end connection
 Investment cast body, 2 pieces
 Mounting pad for direct mounting actuator
 Valve pressure/temperature (see chart)

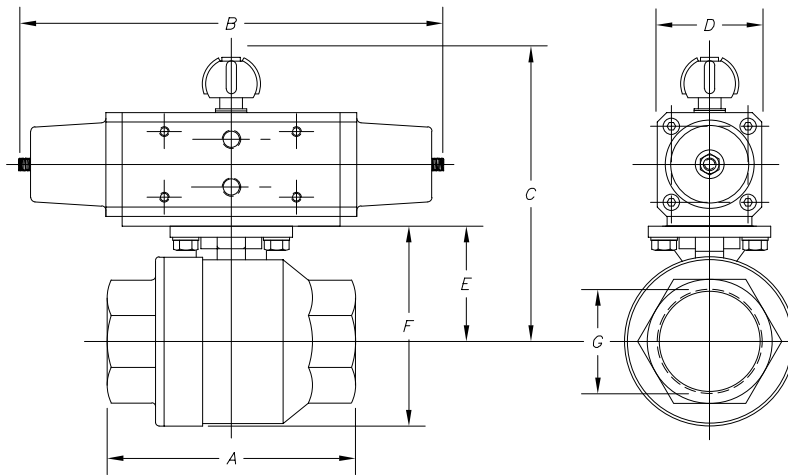
TEMPERATURE RANGE:
 -30°F to 400°F max

PRESSURE RATING:
 1/4" to 1" 2000 psig
 1-1/4" to 2" 1500 psig
 2-1/2" to 3" 1000 PSIG

We reserve the right to make changes at any time. Please contact us for confirmation of any information that is critical to your application.

26 Series (see minimum actuator air pressure required below)

Full port 316SS ball valve with spring return pneumatic actuator
(threaded end connection, 2 piece body)



60 psig minimum actuator air supply = 6S (Sized for 300PSI ΔP)

Size	A	B	C	D	E	F	G	Actuator	Cv	Wt (lbs.)	Model No.
1/4" (A)	2.56	9.36	5.24	2.54	1.65	2.28	1/4" NPT	SR030	13	5.41	A26NRXO6S ^③
3/8" (B)	2.56	9.36	5.24	2.54	1.65	2.34	3/8" NPT	SR030	13	5.41	B26NRXO6S ^③
1/2" (C)	2.95	9.36	5.24	2.54	1.65	2.35	1/2" NPT	SR030	23	5.46	C26NRXO6S ^③
3/4" (D)	3.15	9.36	5.36	2.54	1.77	2.71	3/4" NPT	SR030	70	5.68	D26NRXO6S ^③
1" (E)	3.54	12.48	6.69	3.12	2.05	3.05	1" NPT	SR060	116	9.90	E26NRXO6S ^③
1 1/4" (F)	4.33	12.38	6.92	3.12	2.28	3.63	1 1/4" NPT	SR060	151	11.00	F26NRXO6S ^③
1 1/2" (G)	4.72	13.92	7.71	13.92	2.68	4.30	1 1/2" NPT	SR090	197	15.40	G26NRXO6S ^③
2" (H)	5.51	14.51	8.49	3.90	3.07	4.85	2" NPT	SR120	325	23.10	H26NRXO6S ^③

80 psig minimum actuator air supply = 8S (Sized for 300PSI ΔP)

Size	A	B	C	D	E	F	G	Actuator	Cv	Wt (lbs.)	Model No.
1/4" (A)	2.56	8.62	4.85	2.15	1.65	2.28	1/4" NPT	SR015	13	3.87	A26NRXO8S ^③
3/8" (B)	2.56	8.62	4.85	2.15	1.65	2.34	3/8" NPT	SR015	13	3.87	B26NRXO8S ^③
1/2" (C)	2.95	8.62	4.85	2.15	1.65	2.35	1/2" NPT	SR015	23	3.92	C26NRXO8S ^③
3/4" (D)	3.15	9.36	5.36	2.54	1.77	2.71	3/4" NPT	SR030	70	5.68	D26NRXO8S ^③
1" (E)	3.54	11.47	5.99	2.81	2.05	3.05	1" NPT	SR045	116	7.48	E26NRXO8S ^③
1 1/4" (F)	4.33	11.47	6.22	2.81	2.28	3.63	1 1/4" NPT	SR045	151	8.58	F26NRXO8S ^③
1 1/2" (G)	4.72	12.48	7.32	3.12	2.68	4.30	1 1/2" NPT	SR060	197	12.98	G26NRXO8S ^③
2" (H)	5.51	13.92	8.10	3.51	3.07	4.85	2" NPT	SR090	325	18.48	H26NRXO8S ^③

③C= Fail Closed, O = Fail Open

26 Valve Specifications

Valve:

Full port 316SS body & ball
Blow out proof stem
Investment cast body
RPTFE seats & seals
NPT threaded end connection
Mounting pad for direct mount actuator
Temperature range: -30°F to 400°F Max
1/4" to 1" 2000 psig
1-1/4" to 2" 1500 psig

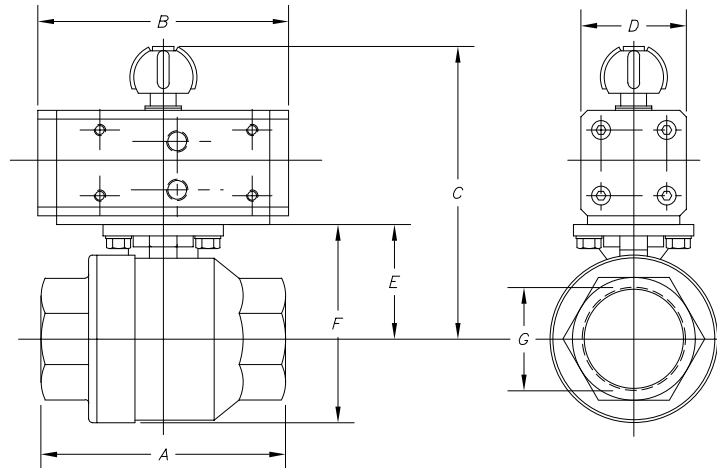
Actuators

Pneumatic Actuators:

Compact direct mount
Pneumatic double acting and spring return
Anodized corrosion resistant coating
NAMUR solenoid mounting adapter
ISO 5211 mounting standard
Visual position indicators
High duty cycle
Permanent lubrication

26 Series (see minimum actuator air pressure required below)

Full port 316SS ball valve with double acting pneumatic actuator (threaded end connection, 2 piece body)



60 psig minimum actuator air supply = 6D (Sized for 300PSI ΔP)

Size	A	B	C	D	E	F	G	Actuator	Cv	Wt (lbs.)	Model No.
1/4" (A)	2.56	5.07	4.85	2.15	1.65	2.28	1/4" NPT	DA030	13	3.21	A26NRXO6D
3/8" (B)	2.56	5.07	4.85	2.15	1.65	2.34	3/8" NPT	DA030	13	3.21	B26NRXO6D
1/2" (C)	2.95	5.07	4.85	2.15	1.65	2.35	1/2" NPT	DA030	23	3.26	C26NRXO6D
3/4" (D)	3.15	5.07	4.97	2.15	1.77	2.71	3/4" NPT	DA030	70	3.48	D26NRXO6D
1" (E)	3.54	5.62	5.48	2.34	2.05	3.05	1" NPT	DA045	116	4.95	E26NRXO6D
1 1/4" (F)	4.33	5.93	5.87	2.54	2.28	3.63	1 1/4" NPT	DA060	151	6.73	F26NRXO6D
1 1/2" (G)	4.72	6.59	6.62	2.81	2.68	4.33	1 1/2" NPT	DA090	197	9.35	G26NRXO6D
2" (H)	5.51	7.18	7.71	3.12	3.07	4.92	2" NPT	DA120	325	14.52	H26NRXO6D

80 psig minimum actuator air supply = 8D (Sized for 300PSI ΔP)

Size	A	B	C	D	E	F	G	Actuator	Cv	Wt (lbs.)	Model No.
1/4" (A)	2.56	5.07	4.85	2.15	1.65	2.28	1/4" NPT	DA030	13	3.21	A26NRXO8D
3/8" (B)	2.56	5.07	4.85	2.15	1.65	2.34	3/8" NPT	DA030	13	3.21	B26NRXO8D
1/2" (C)	2.95	5.07	4.85	2.15	1.65	2.35	1/2" NPT	DA030	23	3.26	C26NRXO8D
3/4" (D)	3.15	5.07	4.97	2.15	1.77	2.71	3/4" NPT	DA030	70	3.48	D26NRXO8D
1" (E)	3.54	5.62	5.48	2.34	2.05	3.05	1" NPT	DA045	116	4.95	E26NRXO8D
1 1/4" (F)	4.33	5.62	5.71	2.34	2.28	3.63	1 1/4" NPT	DA045	151	6.05	F26NRXO8D
1 1/2" (G)	4.72	6.59	6.62	2.81	2.68	4.33	1 1/2" NPT	DA090	197	9.35	G26NRXO8D
2" (H)	5.51	6.59	7.01	2.81	3.07	4.92	2" NPT	DA090	325	12.43	H26NRXO8D

26 Valve Specifications

Valve:

Full port 316SS body & ball
Blow out proof stem
Investment cast body
RPTFE seats & seals
NPT threaded end connection
Mounting pad for direct mount actuator
Temperature range: -30°F to 400°F Max
1/4" to 1" 2000 psig
1 1/4" to 2" 1500 psig

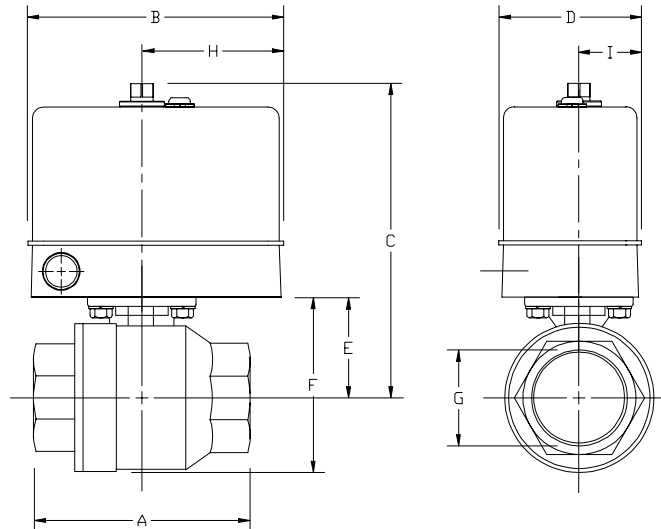
Actuators

Pneumatic Actuators:

Compact direct mount
Pneumatic double acting and spring return
Anodized corrosion resistant coating
NAMUR solenoid mounting adapter
ISO 5211 mounting standard
Visual position indicators
High duty cycle
Permanent lubrication

26 Series

Full port 316SS ball valve with electric actuator, NEMA 4, 120 VAC
(threaded end connection, 2 piece valve body)



Size	A	B	C	D	E	F	G	H	I	Actuator (Speed)	Cv	Wt (lbs.)	Model No.
1/4" (A)	1.96	5.50	6.1	3.00	1.35	1.98	1/4" NPT	3.12	1.38	EV1 (3 sec)	13	6.01	A26NRXV4②
3/8" (B)	2.36	5.50	6.1	3.00	1.35	2.04	3/8" NPT	3.12	1.38	EV1 (3 sec)	13	6.01	B26NRXV4②
1/2" (C)	2.95	5.50	6.2	3.00	1.45	2.15	1/2" NPT	3.12	1.38	EV1 (3 sec)	23	6.06	C26NRXV4②
3/4" (D)	3.15	5.50	7.39	3.00	1.70	2.64	3/4" NPT	3.12	1.38	EV1 (3 sec)	70	6.28	D26NRXV4②
1" (E)	3.54	5.50	7.55	3.00	1.80	2.80	1" NPT	3.12	1.38	EV3 (7 sec)	116	7.20	E26NRXV4②
1 1/4" (F)	4.33	5.50	6.75	3.00	2.00	3.35	1 1/4" NPT	3.12	1.38	EV3 (7 sec)	151	8.30	F26NRXV4②
1 1/2" (G)	4.72	6.43	8.62	6.43	2.30	3.95	1 1/2" NPT	2.93	2.43	NV4 (10 sec)	197	14.28	G26NRXV4②
2" (H)	5.50	6.43	9.12	6.43	2.80	4.65	2" NPT	2.93	2.43	EM500 (15 sec)	325	19.36	H26NRXB4②

②VOLTAGE CODE (SEE VOLTAGE CODE CHART)

Note: Actuators are sized for 300 PSI ΔP

26 Valve Specifications

Valve:

Full port 316SS body & ball
RPTFE seats & seals
NPT threaded end connection
Temperature range: -30°F to 400°F Max
1/4" to 1" 2000 psig
1 1/4" to 2" 1500 psig

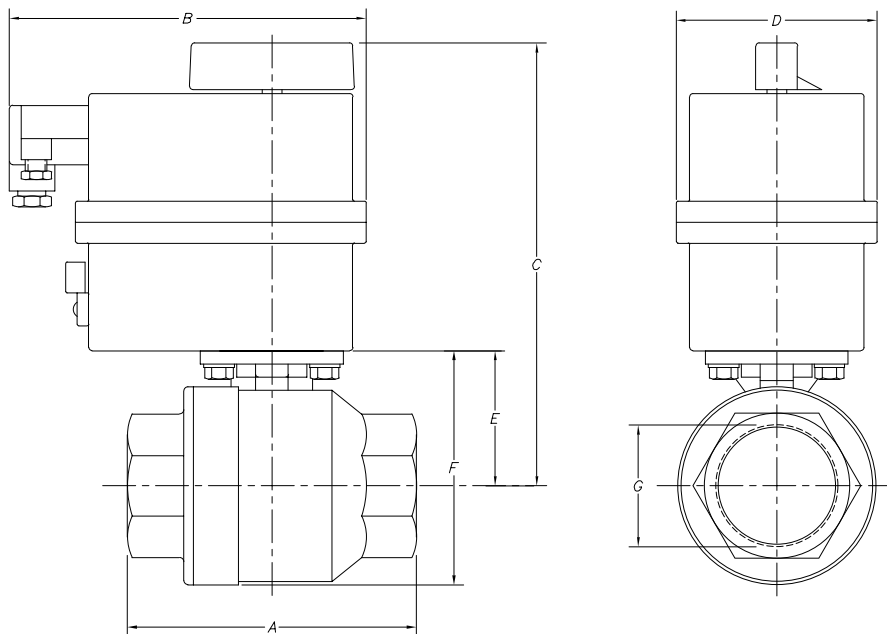
Actuators

Electric Actuators:

Electric, NEMA 4
NEMA 7 available (explosion proof)
120 VAC, 12 VDC, 24VDC & OTHERS
75% Duty Cycle
ISO 5211 Universal mounting
Manual override
Visual position indicator (Not shown above)
Permanent lubrication
Temperature: -40°F to 160°F (heater recommended below 0°F)

26 Series

Full port 316SS ball valve with electric actuator, IP65, 120 VAC
(threaded end connection, 2 piece valve body)



Size	A	B	C	D	E	F	Actuator (Speed)	Cv	Wt (lbs.)	Model No.
1/4" (A)	2.56	6.65	4.85	4.09	1.65	2.28	A20 (7.5 sec)	13	8.73	A26NRX16 [Ⓜ]
3/8" (B)	2.56	6.65	4.85	4.09	1.65	2.34	A20 (7.5 sec)	13	8.73	B26NRX16 [Ⓜ]
1/2" (C)	2.95	6.65	4.85	4.09	1.65	2.35	A20 (7.5 sec)	23	8.78	C26NRX16 [Ⓜ]
3/4" (D)	3.15	6.65	4.97	4.09	1.77	2.71	A20 (7.5 sec)	70	9.00	D26NRX16 [Ⓜ]
1" (E)	3.54	6.65	5.25	4.09	2.05	3.05	A20 (7.5 sec)	116	9.92	E26NRX16 [Ⓜ]
1 1/4" (F)	4.33	6.65	9.95	4.13	2.28	3.63	A55 (20 SEC)	151	11.68	F26NRX16 [Ⓜ]
1 1/2" (G)	4.72	6.65	10.35	4.13	2.68	4.33	A55 (20 sec)	197	13.66	G26NRX16 [Ⓜ]
2" (H)	5.51	6.65	10.74	4.13	3.07	4.92	A55 (20 sec)	325	16.74	H26NRX16 [Ⓜ]

[Ⓜ]VOLTAGE CODE (SEE VOLTAGE CODE CHART)

Note: Actuators are sized for 300 PSI ΔP

26 Valve Specifications

Valve:

Full port 316SS body & ball
RPTFE seats & seals
NPT threaded end connection
Temperature range: -30°F to 400°F Max
1/4" to 1" 2000 psig
1 1/4" to 2" 1500 psig

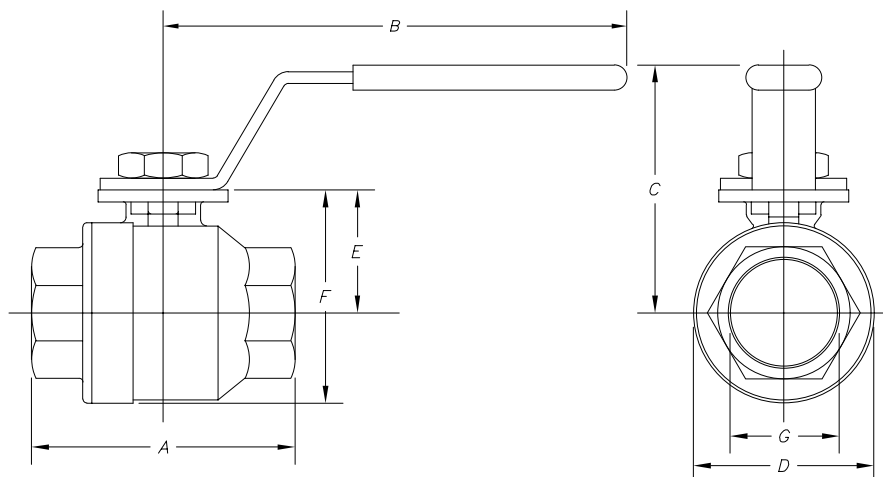
Actuators

Electric Actuators:

Electric, 120VAC, IP65
120 VAC, 12 VDC, 24 VDC & OTHERS
35% Duty Cycle
ISO 5211 Universal mounting
Manual override
Visual position indicator
Permanent lubrication
Temperature: -14°F to 122°F

26 Series

Full port 316SS ball valve with manual handle
(threaded end connection, 2 piece body)



Size	A	B	C	E	F	Cv	Wt (lbs.)	Model No.
1/4" (A)	2.56	4.48	2.80	1.65	2.28	13	1.15	A26NRXM
3/8" (B)	2.56	4.48	2.80	1.65	2.34	13	1.15	B26NRXM
1/2" (C)	2.95	4.48	2.96	1.65	2.35	23	1.20	C26NRXM
3/4" (D)	3.15	5.24	2.96	1.77	2.71	70	1.42	D26NRXM
1" (E)	3.54	5.24	3.00	2.05	3.05	116	2.55	E26NRXM
1 1/4" (F)	4.33	7.44	3.80	2.28	3.63	151	3.65	F26NRXM
1 1/2" (G)	4.72	7.44	4.00	2.68	4.33	197	5.72	G26NRXM
2" (H)	5.51	7.44	4.40	3.07	4.92	325	8.80	H26NRXM

26 Valve Specifications

Valve:

Full port 316SS body & ball
 RPTFE seats & seals
 NPT threaded end connection
 Temperature range: -30°F to 400°F max
 1/4" to 1" 2000 psig
 1 1/4" to 2" 1500 psig

Actuator:

Manual handle