

R Series Electric Actuators (AC & DC) 150, 300, or 600 in/lbs Output Torque

Description

The Assured Automation R-Series electric actuators offer a simple and cost effective solution for your valve automation needs. For use on quarter turn (90 degree) ball valves 1/4" to 3" and resilient seated butterfly valves (115 AC) 2" to 4".

Cost Effective for OEM Applications



Product Features

- Compact design
- Direct mounting to valve.(ISO5211)
- Declutchable manual override
- Thermally protected motor
- Nema-4 Weatherproof enclosure
- Hardened steel gearing
- Self-lubricating shaft bearings
- Factory sealed gearbox
- Position Indicator

Materials

Mounting/Shaft: Zinc plated steel

Cover: Composite, PVC

Base: Diecast Zinc Alloy

Base Finish: Powder Coated Epoxy

Performance Specifications

Temperature Range:

-40°F (with heater and thermostat) to +150°F

Enclosure:

Nema-4, 4x

Conduit Connection:

1/2"-14 NPT

Duty Cycle:

AC Units: 25%; DC Units:100%

Lubrication:

Permanently lubricated gear train and bearings

Mounting/Shaft:

ISO 5211/Female



**See Reverse Side for Additional Details
and Ordering Information**

R Series Electric Actuators

Specifications

Actuator Model	Break Torque	Voltage DC/AC	Duty Cycle	Speed (sec.)	Current Draw (Amps/Stopped)					Weight (lbs.)
					24vac	115vac	230vac	12vdc	24vdc	
R-150	150 in/lbs	- / 24, 115, 230	25%	5	7.9	1.9	1.0	n/a	n/a	6.0
R-300	300 in/lbs	12, 24 / 24, 115, 230	25%	9	7.9	1.9	1.0	1.5	0.7	6.0
R-600	600 in/lbs	12, 24 / 24, 115, 230	25%	16	7.9	1.9	1.0	1.8	0.9	6.0

Ordering Information

Model Number: R -

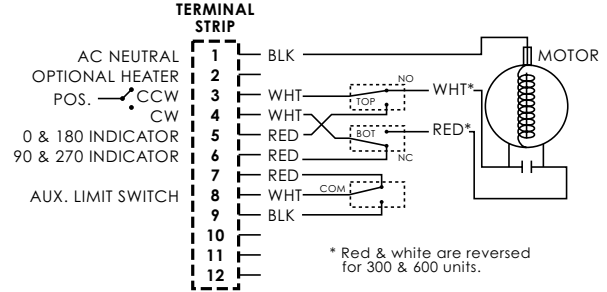
Size: _____
150 = 150 in/lbs output torque
300 = 300 in/lbs output torque
600 = 600 in/lbs output torque

Supply Voltage: _____
E = 24 VAC **F** = 12 VDC
A = 115 VAC **B** = 24 VDC
C = 230 VAC

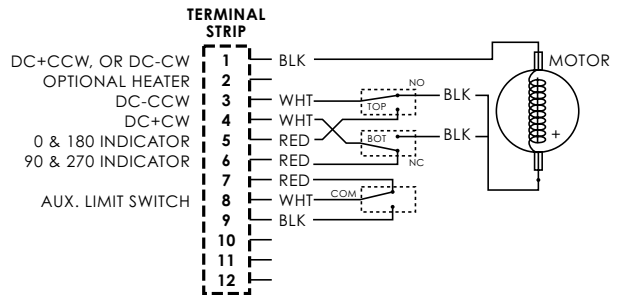
Options: _____
H = Heater
E = Extra Switch

Wiring Diagrams

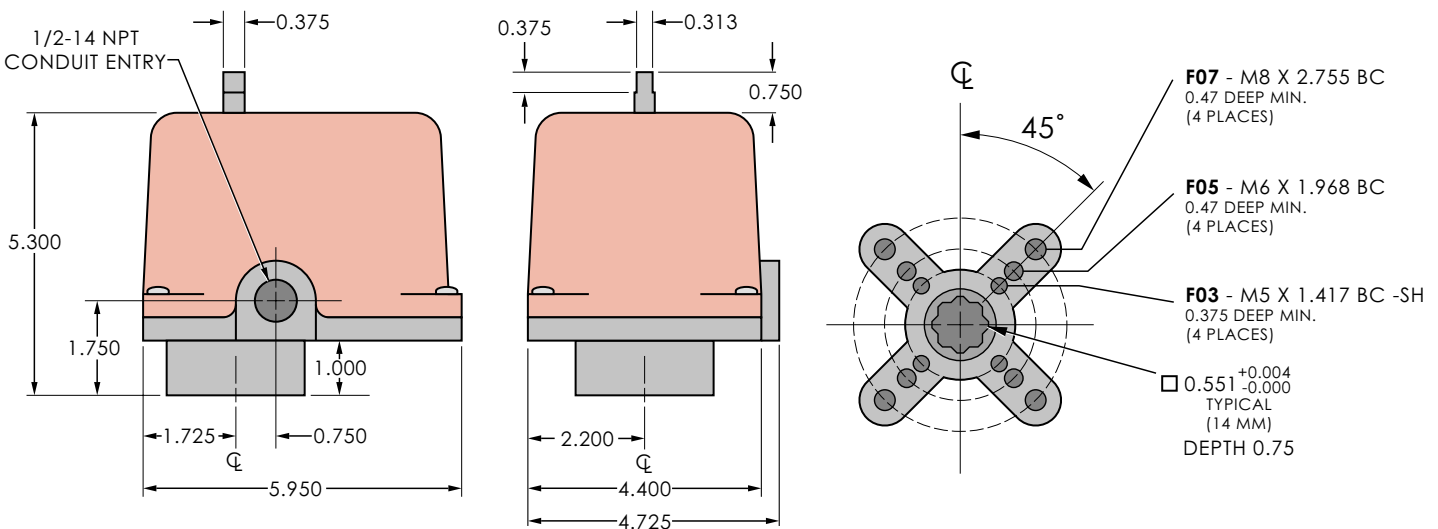
AC REVERSIBLE 150/300*/600*



DC REVERSIBLE 300/600



Dimensions



Document: R Series Electric Actuators - Revised 03.03.06